



INTERNATIONAL
TECHNOLOGIES, INC.
www.international-technologies.com

Continuous Uptime in Lean Manufacturing. That's IT !

627 Estes Avenue
Schaumburg, Illinois 60193
Phone 1-847-301-9005
Fax 1-847-301-9509
info@international-technologies.com



MVD iBend CNC Hydraulic Press Brake

Model iBend B270-5100 16.5' 298 Ton (Y1,Y2,X,R)

FACTORY STOCK
AVAILABLE FOR IMMEDIATE SHIPMENT



08-19-20



METAL
SPINNING.
MACHINES.
PROCESSES.



ADVANCED
CORNER
FORMING



REVOLUTIONARY
SPOT WELDING



ELECTRIC BUSBAR PROCESSING



INNOVATIVE
FOLDING
MACHINES



PRECISION
MACHINE
TOOLS



SERVO ELECTRIC
PRESS BRAKES



MVD iBend CNC Hydraulic Press Brake Model iBend B270-5100 16.5' 298 Ton (Y1,Y2,X,R)

Specifications

- Bending tonnage: 298 tons
- Bending length: 200.79"
- Distance between housings: 165.35"
- Throat/Stroke: 16.14"
- Stroke: 10.24"
- Daylight: 18"
- Table height: 43"
- Backgauge speed X-R axis:
 - X axis speed: 1180"/min
 - R axis speed: 710"/min
- Backgauge stroke (X axis): 30"
- Rapid approach speed: 260"/min
- Return speed: 283"/min
- Pressing speed: 24"/min
- Length: 256" X Height: 124" X Width: 97"
- Main Motor: 30 hp
- Oil Capacity: 77 Gallons
- Weight: 44,970 lbs.



08-19-20



METAL
SPINNING.
MACHINES.
PROCESSES.



ADVANCED
CORNER
FORMING



REVOLUTIONARY
SPOT WELDING



ELECTRIC BUSBAR PROCESSING



INNOVATIVE
FOLDING
MACHINES



PRECISION
MACHINE
TOOLS



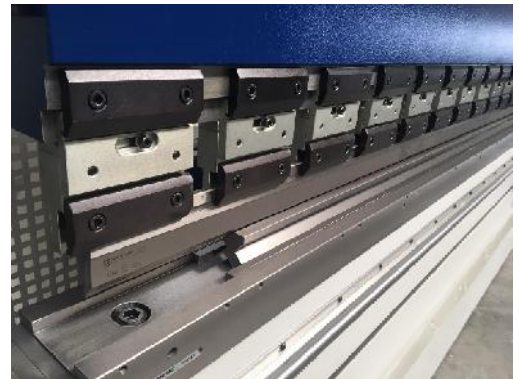
SERVO ELECTRIC
PRESS BRAKES



MVD iBend CNC Hydraulic Press Brake Model iBend B270-5100 16.5' 298 Ton (Y1,Y2,X,R)

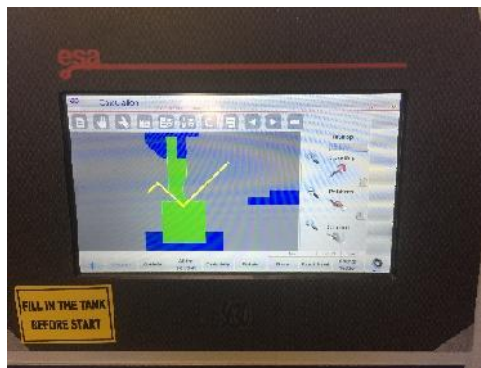
Standard equipment:

- Side Safety Guard Doors
- Standard Body Cover
- LED Operator Lights
- Foot Pedal
- 2 Sliding Front Support Arms
- Schneider, Merlin Gerin, Siemens Electrical Components
- American & European Type Top Tool Clamping Quick Release
- Top Tool Eurostamp Punch ES1281 85 Degree Punch
(5 x 835mm 1 x 805mm Sectionalized,415 mm)
- Bottom Tool Eurostamp Die ES2067 4 Way V Die –
(5 x 835mm 1 x 805mm Sectionalized,415 mm)
- Narrow Bottom Table With N. American Die Adapter
- GIVI Optic Linear Scales +/- 0.0004 Repeatability
- MSD Manual Front Point Of Operation Laser Safety
- Leuze Light Curtains Rear Safety.
- Hoerbiger Hydraulic System
- WILA Motorized Crowning System With WILA Wedges
- UNIMEC Motorized X+R Backgauge Servo W/ Mitsubishi Drives
 - ⇒ 4 backgauge fingers
 - ⇒ X axis travel 29.5", R axis travel 9.8"
- Power: 480 V, 3 Phase, 60 Hz



CNC Control:

ESA S630 10" Color Touch Screen
2D Graphical With 2D Offline Software
Controls 3-4 Axis



08-19-20



METAL
SPINNING.
MACHINES.
PROCESSES.



ADVANCED
CORNER
FORMING



REVOLUTIONARY
SPOT WELDING



ELECTRIC BUSBAR PROCESSING



INNOVATIVE
FOLDING
MACHINES



PRECISION
MACHINE
TOOLS

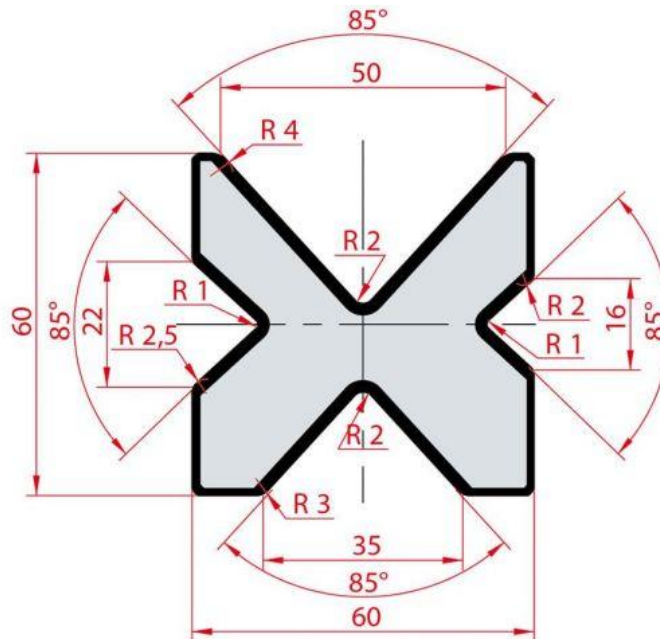


SERVO ELECTRIC
PRESS BRAKES



MVD iBend CNC Hydraulic Press Brake Model iBend B270-5100 16.5' 298 Ton (Y1,Y2,X,R)

Tooling Package



Type	4V L die
Angle (°)	85°
H	60
V	16/22/35/50
Max T/m	80
Material	C45
Style	Amada-Promecam

08-19-20



METAL
SPINNING.
MACHINES.
PROCESSES.



ADVANCED
CORNER
FORMING



REVOLUTIONARY
SPOT WELDING



ELECTRIC BUSBAR PROCESSING



INNOVATIVE
FOLDING
MACHINES



PRECISION
MACHINE
TOOLS

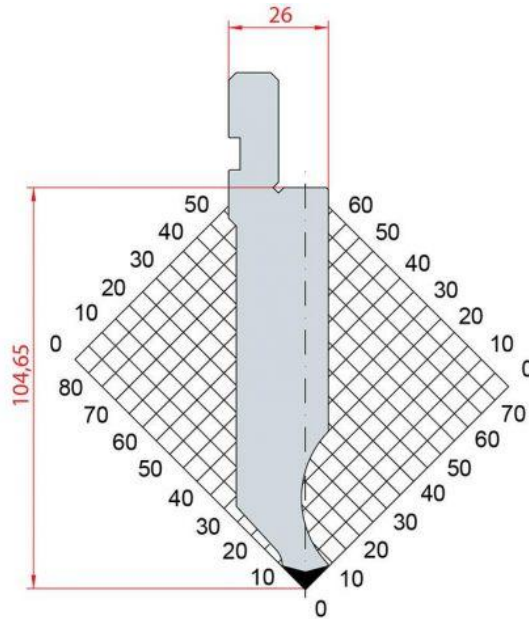


SERVO ELECTRIC
PRESS BRAKES



MVD iBend CNC Hydraulic Press Brake Model iBend B270-5100 16.5' 298 Ton (Y1,Y2,X,R)

Tooling Package



Type	Punches
Angle (°)	85°
H	104,65
R	0,8
Max T/m	100
Material	C45
Style	Amada-Promecam

08-19-20



METAL
SPINNING.
MACHINES.
PROCESSES.



ADVANCED
CORNER
FORMING



REVOLUTIONARY
SPOT WELDING



ELECTRIC BUSBAR PROCESSING



INNOVATIVE
FOLDING
MACHINES



PRECISION
MACHINE
TOOLS



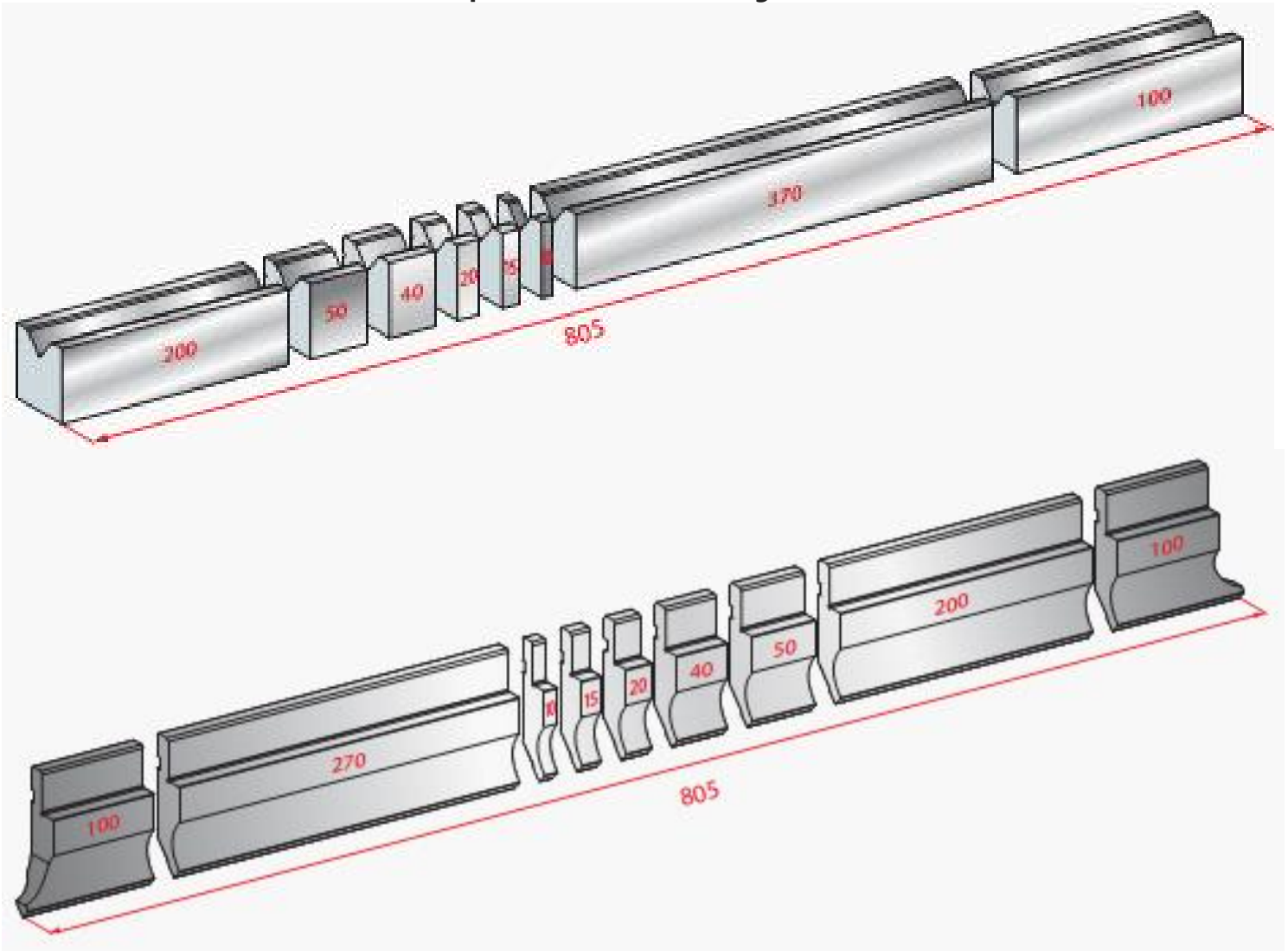
SERVO ELECTRIC
PRESS BRAKES



MVD iBend CNC Hydraulic Press Brake Model iBend B270-5100 16.5' 298 Ton (Y1,Y2,X,R)

Tooling Package

Examples of sectionalized segments



08-19-20



METAL SPINNING. MACHINES. PROCESSES.



ADVANCED CORNER FORMING



REVOLUTIONARY SPOT WELDING



ELECTRIC BUSBAR PROCESSING



INNOVATIVE FOLDING MACHINES



PRECISION MACHINE TOOLS



SERVO ELECTRIC PRESS BRAKES



INTERNATIONAL
TECHNOLOGIES, INC.
www.international-technologies.com

Continuous Uptime in Lean Manufacturing. That's IT !

627 Estes Avenue
Schaumburg, Illinois 60193
Phone 1-847-301-9005
Fax 1-847-301-9509
info@international-technologies.com



MVD iBend CNC Hydraulic Press Brake

Model iBend B270-5100 16.5' 298 Ton (Y1,Y2,X,R)

FACTORY STOCK QUICK SHIP INVESTMENT SUMMARY

MVD Model iBend B270-5100 CNC Hydraulic Press Brake
complete with all standard equipment as described above: \$109,900.00

Complete freight package: packing and loading at factory dispatch site,
transport to port of departure, ocean freight, port to port insurance, and
loading on truck at U.S. port of entry Included

Installation and training (daily rate): \$1,750.00

Travel and living expenses will be billed separately at cost.

Lead time: from factory stock, estimated 5 Weeks after receipt of purchase order and down payment.

FOB: U.S. port of entry

Payment Terms:

60% down payment with purchase order.
30% seven (7) days prior to factory shipment.
Balance due upon installation completion or fifteen
(15) days after receipt of equipment, whichever occurs first.

08-19-20



METAL
SPINNING.
MACHINES.
PROCESSES.



ADVANCED
CORNER
FORMING



REVOLUTIONARY
SPOT WELDING



ELECTRIC BUSBAR PROCESSING



INNOVATIVE
FOLDING
MACHINES



PRECISION
MACHINE
TOOLS



SERVO ELECTRIC
PRESS BRAKES



INTERNATIONAL
TECHNOLOGIES, INC.
www.international-technologies.com

627 Estes Avenue
Schaumburg, Illinois 60193
Phone 1-847-301-9005
Fax 1-847-301-9509
info@international-technologies.com

Continuous Uptime in Lean Manufacturing. That's IT !

Please note: Quotation valid for 15 days from date of issuance.

Delivery time is based on order acceptance, and subject to change up to that point.

Order is considered accepted upon receipt of:

- Written acknowledgement of customers purchase order
- Down payment per terms
- Signed Terms and Conditions of Sale documents at end of proposal.

All descriptions and specifications for items quoted herein are per attached documentation.

Any and all other specifications desired will be provided in a timely manner upon their request.

Additional items are available for this model and will be provided quotation for per request.

International Technologies, Inc. makes no representations or warranties of any kind as to the suitability of the machine quoted for forming parts for which the customer has not provided part prints. Certified copies of customer part prints must be provided prior to final purchase offer and must become part of the customers final order documentation, and receipt and acceptance of which will be confirmed as part of order acknowledgment.

It is the sole responsibility of the end user to do a documented risk assessment prior to putting machine in operation.

08-19-20

WF

METAL
SPINNING.
MACHINES.
PROCESSES.



ADVANCED
CORNER
FORMING

MY SPOT

REVOLUTIONARY
SPOT WELDING

RODSTEIN

ELECTRIC BUSBAR PROCESSING



INNOVATIVE
FOLDING
MACHINES



PRECISION
MACHINE
TOOLS



SERVO ELECTRIC
PRESS BRAKES



INTERNATIONAL
TECHNOLOGIES, INC.
www.international-technologies.com

Continuous Uptime in Lean Manufacturing. That's IT !

627 Estes Avenue
Schaumburg, Illinois 60193
Phone 1-847-301-9005
Fax 1-847-301-9509
info@international-technologies.com

NEW MACHINE WARRANTY

WARRANTY: The following warranty is in lieu of all warranties expressed, implied or statutory, including but not limited to any expressed, implied or statutory statements of merchantability or fitness for a particular purpose or suitability under OSHA. Unless otherwise provided in written form and signed as accepted by INTERNATIONAL TECHNOLOGIES, INC. ("IT") this is the only warranty.

Operation of equipment outside the parameters as outlined in the manuals as provided with the equipment could void any and all warranties and obligations.

The machine as detailed in this proposal is warranted against any defect directly traceable to a fault in material and workmanship for a period of (one) 1 year from date of installation sign-off. Customer to place grounding rod to machine prior to installation.

Warranty is non-transferable. During the warranty period replacement parts which have failed under normal usage conditions will be furnished free of charge, FOB customer's dock. This determination will be at the sole discretion of the IT Service Department. A purchase order will be required for all service requirements until final determination has been made as to the applicability of such warranty coverage. Any and all defective components are to be returned to IT within 30 days of defect repair or customer will be invoiced for full value of non-returned components.

During the warranty period IT will provide labor to replace complex assemblies when in the opinion of the IT Service Department the repair required would exceed the skill level of a normal competent technician or operator. Labor to assist and/or necessary services to diagnose possible problems are expected to be furnished by the customer at no charge or cost to IT or its agents.

This warranty will be null and void if the machine has been serviced by any non-IT technician, with the exception of regular maintenance provided by customer's employees, any technician retained by IT for the purpose of providing warranty service, or any other exception approved in writing by IT. Customer understands that any modifications to the machine not previously approved by IT will render this warranty null and void. Should upon arrival of the IT technician it is determined the nature of the problem is not a warranty related item, the customer will be required to pay the entire cost of the technician's travel and time at our normal service rates.

Customer agrees that this warranty is contingent upon customer making the required final machine progress payment by the payment date agreed to in customer's order. Failure to make this final machine payment, or failure to pay any service or parts charges that are outside of warranty coverage, will render this new machine warranty null and void.

08-19-20

WF

METAL
SPINNING.
MACHINES.
PROCESSES.



ADVANCED
CORNER
FORMING

MY SPOT

REVOLUTIONARY
SPOT WELDING

RODSTEIN

ELECTRIC BUSBAR PROCESSING



INNOVATIVE
FOLDING
MACHINES



PRECISION
MACHINE
TOOLS



SERVO ELECTRIC
PRESS BRAKES



INTERNATIONAL
TECHNOLOGIES, INC.
www.international-technologies.com

Continuous Uptime in Lean Manufacturing. That's IT !

627 Estes Avenue
Schaumburg, Illinois 60193
Phone 1-847-301-9005
Fax 1-847-301-9509
info@international-technologies.com

TERMS AND CONDITIONS OF SALE

The described equipment may be ordered by the customer from INTERNATIONAL TECHNOLOGIES, INC. ("IT") only on the following terms and conditions.

The customer will pay as the "purchase price" the price set forth herein together with any state, municipal or other tax applicable to the sale, including sales, occupation, use and excise taxes, however denominated in cash and in accordance with the terms of payment set forth in the sales quotation. Prior to acceptance of the customer's order, the price quoted is subject to change.

IT will attempt to deliver or ship the equipment promptly. Any date quoted is, however, necessarily approximate and subject to delays caused by civil insurrection, war, fire, strike, Acts of God, shortages of materials, or failure of suppliers or subcontractors to satisfactorily meet scheduled deliveries, any priorities imposed by any government or governmental agency, or any other factor or event beyond the control of IT or the manufacturer. No delay in shipment or delivery shall give rise to any liability for damages, including incidental or consequential damages, and customer by its order waives and releases any such claim.

In order to secure payment of the purchase price and the performance of customer's other obligations hereunder, the customer by its order grants IT a purchase money security interest in the equipment and upon request by IT will cause to be executed any additional documents required to enable IT to perfect this security interest.

The equipment is sold F.O.B. port of entry. At customer's request IT will arrange for freight and insurance to customer's premises and will invoice customer for this service at cost.

Prior to shipment, upon the request of the customer, the equipment will be made available for inspection. Upon shipment, the equipment shall be deemed accepted. Such acceptance shall be final and irrevocable; no attempted revocation shall be effective. If any part of the equipment is accepted it shall constitute acceptance of the entire aggregate of described equipment.

Upon acceptance by IT orders are non-cancelable and down payments are not refundable.

Title shall not pass to the buyer until full payment of the machine invoice has been received by IT. If the customer defaults, without in any manner limiting the damages to which IT may be entitled as a matter of law, it will pay on demand as additional purchase price the costs of collection, including reasonable attorney's fees. "Costs of collection" as used herein shall include costs of enforcing or contesting any security interest in the customers' property including the enforcement of the security interest in the described equipment provided herein, together with the costs of removing, repairing and reselling any such equipment. Nothing herein shall be construed to limit IT's remedies for wrongful acts of the customer.

Risk of loss or damage to the equipment shall pass to customer upon delivery at the F.O.B. point.

08-19-20

WF

METAL
SPINNING.
MACHINES.
PROCESSES.



ADVANCED
CORNER
FORMING

MY SPOT

REVOLUTIONARY
SPOT WELDING

RODSTEIN

ELECTRIC BUSBAR PROCESSING



INNOVATIVE
FOLDING
MACHINES



PRECISION
MACHINE
TOOLS



SERVO ELECTRIC
PRESS BRAKES



INTERNATIONAL
TECHNOLOGIES, INC.
www.international-technologies.com

Continuous Uptime in Lean Manufacturing. That's IT !

627 Estes Avenue
Schaumburg, Illinois 60193
Phone 1-847-301-9005
Fax 1-847-301-9509
info@international-technologies.com

TERMS AND CONDITIONS OF SALE (contd.)

The proposal is not an offer and IT shall not be bound to accept customer's order, which acceptance can only be made at the IT office in Schaumburg, Illinois. Notwithstanding any other provision to the contrary, IT may, without liability, at any time withhold or terminate performance pending: (a) receipt of evidence of the authority of individuals signing on behalf of customer; (b) investigation of the customer's credit; (c) such assurances of payment as IT may deem necessary; (d) receipt of a purchase by customer, or other, similar documentation or information.

Any and all documents or information which the customer provides IT are warranted to be true and accurate.

The terms and conditions set forth herein shall be deemed incorporated in any order by the customer. These terms and conditions can be modified or rescinded only by a writing signed by both IT and the customer. IT shall not be bound by any provisions in the customer's purchase order or any other document at variance with the terms and conditions, printed herein and IT's failure to object to such provisions shall not be deemed a waiver or modification of any of the terms and conditions set forth herein.

These terms and conditions shall be construed and enforced in accordance with the law of the State of Illinois. If any provision hereof shall be held to contravene any applicable law, such provision shall be deemed reformed to the extent of conforming to said law and in all other respects the terms hereof shall remain in full force and effect. Customer irrevocably agrees that, in IT's sole and absolute discretion, all actions, suits and proceedings in any manner or way arising out of or in respect to this Purchase Order shall be litigated in courts within the State of Illinois, County of DuPage or having jurisdiction with respect to said county. Customer expressly submits to the jurisdiction of any state or federal court located within or having jurisdiction over said county. Customer waives any right it may have to change the venue of any litigation brought in accordance herewith.

SALES ORDERS:

1. Sales quotations are valid for fifteen (15) days from date of issuance.
2. Customer's purchase order is considered accepted upon receipt of:
 - a. Order to purchase in electronic or handwritten form.
 - b. Down payment funds collectible in IT's bank account.
 - c. Receipt of Terms and Conditions of Sale signed by an individual with the legal authority to bind customer's business.
 - d. Parts prints. IT cannot be responsible for the suitability of any machine for any application or purpose without true and correct parts prints from the end user.

08-19-20

WF

METAL
SPINNING.
MACHINES.
PROCESSES.



ADVANCED
CORNER
FORMING

MY SPOT

REVOLUTIONARY
SPOT WELDING

RODSTEIN

ELECTRIC BUSBAR PROCESSING



INNOVATIVE
FOLDING
MACHINES



PRECISION
MACHINE
TOOLS



SERVO ELECTRIC
PRESS BRAKES



TERMS AND CONDITIONS OF SALE (contd.)

3. Order acceptance: IT will not consider a purchase order complete or the delivery timeframe as having commenced until each of these four items has been received.
4. Delivery time commences on the date of order acceptance.
5. Travel and living expenses during installation and training will be billed at cost.
6. Additional items available for this design model will be provided upon request.
7. IT makes no representations or warranties of any kind as to the suitability of the machine quoted for forming parts for which the customer has not provided part prints to IT. Certified copies of customer part prints must be provided prior to final purchase offer, and must become part of the customers final order documentation, and receipt and acceptance of which will be confirmed as part of order acknowledgement.
8. It is the sole responsibility of the end user to do a documented risk assessment prior to putting machine in operation.
9. IT reserves the right to change measurements, weights, and construction without notice.

PAYMENT: The pricing quoted is based on immediate acceptance and expires 15 days from the date of issuance. Pricing includes import duties. Pricing does not include applicable sales tax.

Progress payments for the machine will be invoiced as follows:

60% down payment with purchase order.

30% seven (7) days prior to factory shipment.

Balance due upon installation completion or fifteen (15) days after receipt of equipment, whichever occurs first.

DELIVERY: The equipment is sold F.O.B. port of entry. At customer's request IT will arrange for freight and insurance to customer's premises and will invoice customer for this service at cost.

Delivery of this machine can only be confirmed after receipt of customer's formal written and signed purchase order, including all necessary specifications and down payment per terms above. Delivery time on the tooling required may be separate from the machine delivery as build time on the tooling cannot commence until all aspects of design and purpose have been confirmed by IT. On any and all part specific tooling requirements the receipt of all part prints and any required blanks as well as written confirmation to any specific questions that may be asked will be required prior to final delivery confirmation, and then only upon final confirmation and acceptance by the factory.

CONFIDENTIALITY: All videos, sketches, photographs, tooling designs, data, schematics, drawings, renderings or theories disclosed or submitted during any part of this transaction or through any purchase agreements or contracts made resulting thereof remains the property of IT and shall be held in strict

08-19-20



METAL
SPINNING.
MACHINES.
PROCESSES.



ADVANCED
CORNER
FORMING



REVOLUTIONARY
SPOT WELDING



ELECTRIC BUSBAR PROCESSING



INNOVATIVE
FOLDING
MACHINES



PRECISION
MACHINE
TOOLS



SERVO ELECTRIC
PRESS BRAKES



INTERNATIONAL
TECHNOLOGIES, INC.
www.international-technologies.com

627 Estes Avenue
Schaumburg, Illinois 60193
Phone 1-847-301-9005
Fax 1-847-301-9509
info@international-technologies.com

Continuous Uptime in Lean Manufacturing. That's IT !

confidence with agreement from all parties not to disclose the same or any part thereof to any others for any purpose without the express written consent of IT.

The undersigned hereby acknowledge receipt of International Technologies, Inc.'s New Machine Warranty and Terms and Conditions of Sale.

APPLICABLE P.O.#

TAXPAYER IDENTIFICATION NUMBER

STATE OF INCORPORATION

COMPANY

REGISTERED ADDRESS

SIGNATURE

TITLE/POSITION

CITY

STATE

ZIP

PRINTED NAME

08-19-20



METAL
SPINNING.
MACHINES.
PROCESSES.



ADVANCED
CORNER
FORMING



REVOLUTIONARY
SPOT WELDING



ELECTRIC BUSBAR PROCESSING



INNOVATIVE
FOLDING
MACHINES



PRECISION
MACHINE
TOOLS



SERVO ELECTRIC
PRESS BRAKES